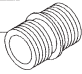
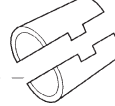




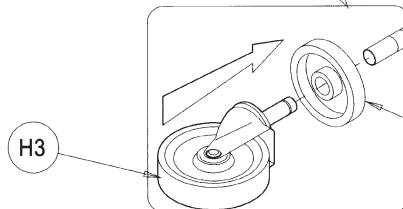
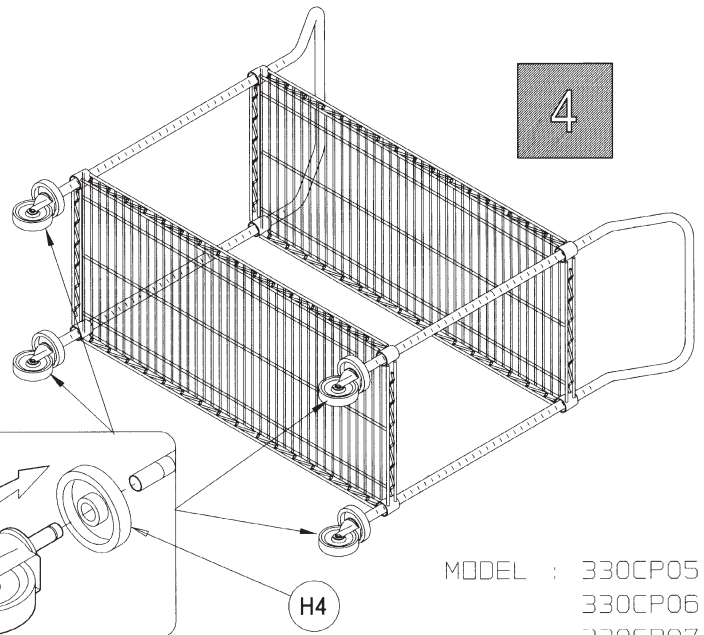
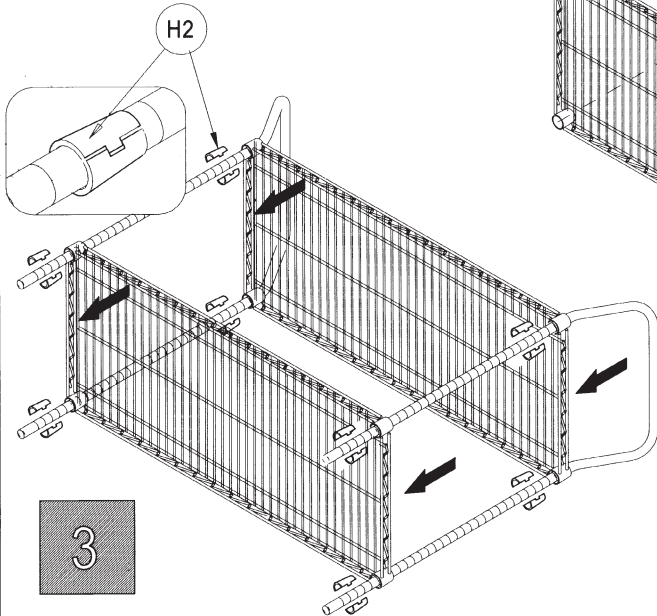
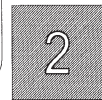
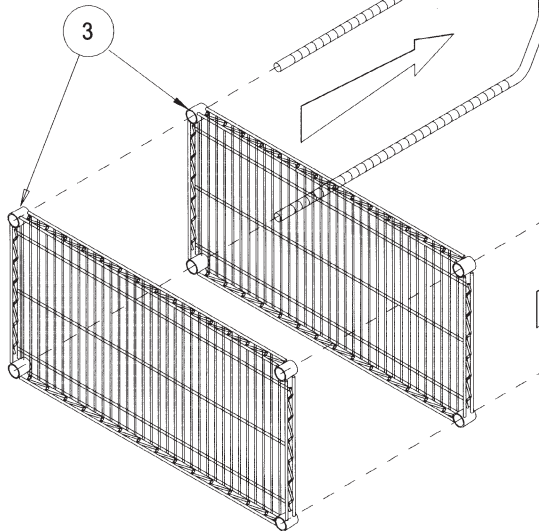
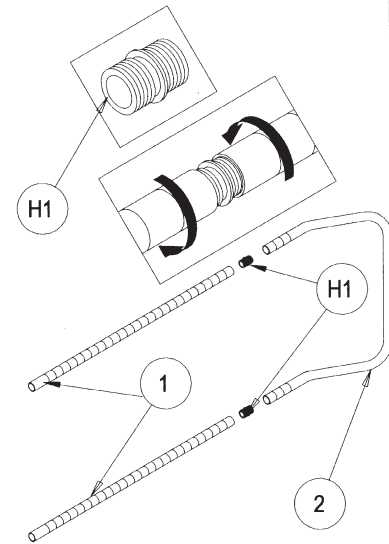
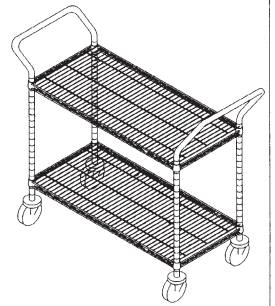
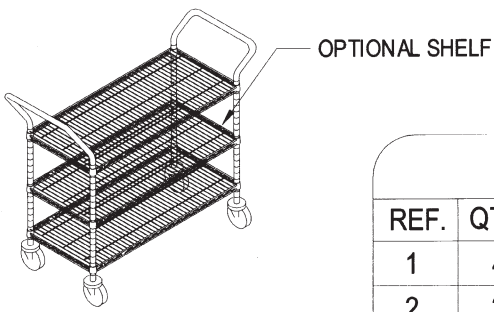


# UTILITY CART

## ASSEMBLY INSTRUCTIONS

### CONTENTS

REF.	QTY.	DESCRIPTION
1	4	POST
2	2	HANDLE
3	2	WIRE SHELF
H1	4	
H2	16	
H3	4	
H4	4	



174 - CHINA

MODEL : 330CP05  
330CP06  
330CP07

FILE: 97050-KD CART