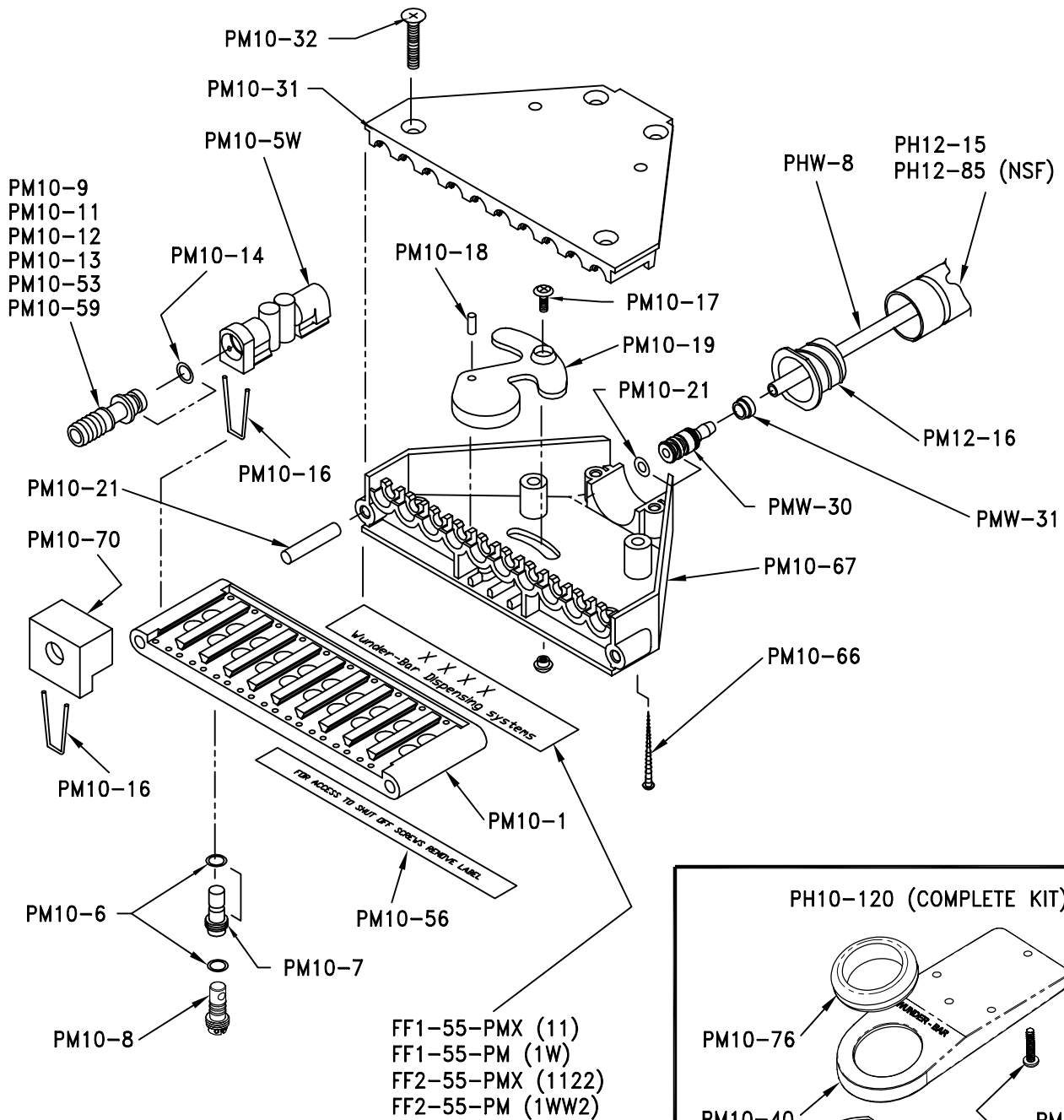


ONE AND TWO BUTTON MECHANICAL HOSE TYPE FAST FLOW DISPENSER MANIFOLD

JOB:

ITEM#:



0570008.DWG / 11-03-2010

Wunder-Bar Dispensing Systems

AUTOMATIC BAR CONTROLS, INC.
790 EUBANKS DRIVE
VACAVILLE, CA 95688

PHONE: (707) 448-5151
FAX : (707) 448-1521