

TECHNICAL NOTES – Wunder-Bar Single-Product & Dual-Product Non-Carbonated Post-Mix Fast Flow Bar Dispensers

WBM-1-PM-FF = 1-Button Post-Mix Dispenser

WBM-2-PM-FF = 2-Button Post-Mix Dispenser

This unique flex hose dispenser provides excellent flow rates for viscous products such as Bloody Mary, Orange Juice, or Margarita Mix. Tea, Lemonade or any other Non-Carbonated Pre-Mix or Post-Mix product can be dispensed through our ultra-fast dispenser with ease and without clogging!

Fast Flow Dispensers Include:

- 3/8" Stainless Steel Barbed Input Fittings
- Hose Hanger with Sanitary Drip Cup
- Drip Cup Drain Tube
- Mounting Hardware
- Stainless Steel Sheathing

Length: 33.5" end-to-end. Additional lengths available, please inquire.

Shipping Weight: 3 pounds

Post-Mix Flow Rates: 3/8" tubing, 4:1 ratio, 70 PSI water, 50 PSI syrup = 5 oz/sec
3/8" tubing, 2:1 ratio, 70 PSI water, 50 PSI syrup = 5.5 oz/sec

Pre-Mix Flow Rates: 3/8" Tubing; 4:1 Ratio; 70 PSI Non-Carb, Pre-Mix Product = 8oz per second

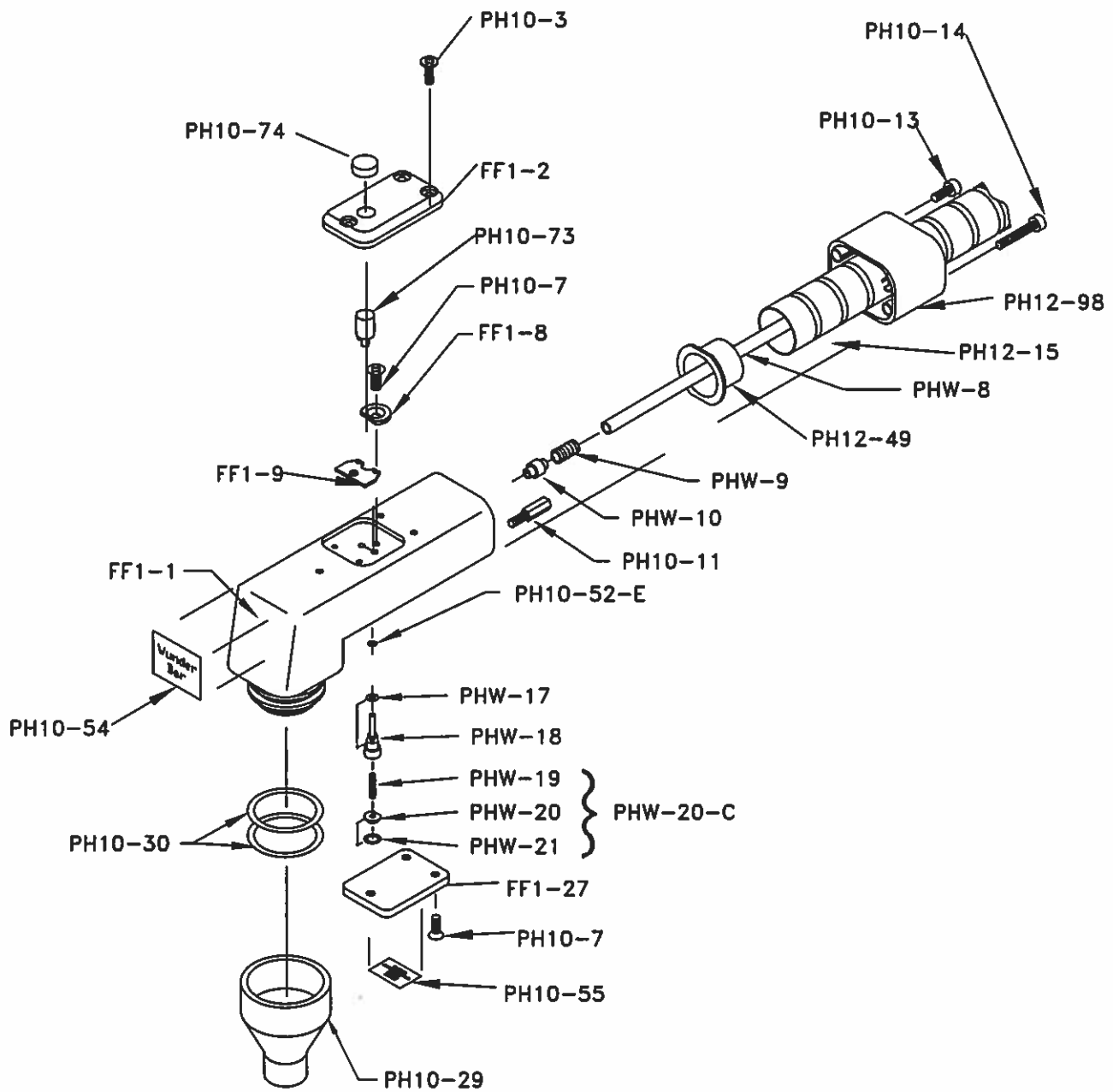
Fast Flow is a Legacy Model:

- Series II Diffuser:
 - Push-On Nozzle with 2 O-Rings on Diffuser
- Legacy Hat O-Rings:
 - Must depressurize entire handle to service
- Positive Shut-Off Screws:
 - Each position can be shut off at the manifold
 - Bright white shut-off screw with solid Santoprene plug

These dispensers ship configured for Post-Mix, but each dispenser includes input splitter blocks to make it Pre-Mix if desired. For Post-Mix (standard configuration from factory), one line is for water and the other is for syrup (if 2-Button, then 2 water positions and 2 syrup positions).

To configure for Pre-Mix, a small input block is added to the manifold which effectively takes the single non-carb product input and splits it into two channels (one water position and one product position) prior to entering the manifold. This will also slightly increase flow rate because product will be flowing through two channels simultaneously. Same process is used for 2-Button models.

**ONE PRODUCT
MECHANICAL HOSE TYPE
FAST FLOW DISPENSER HANDLE**



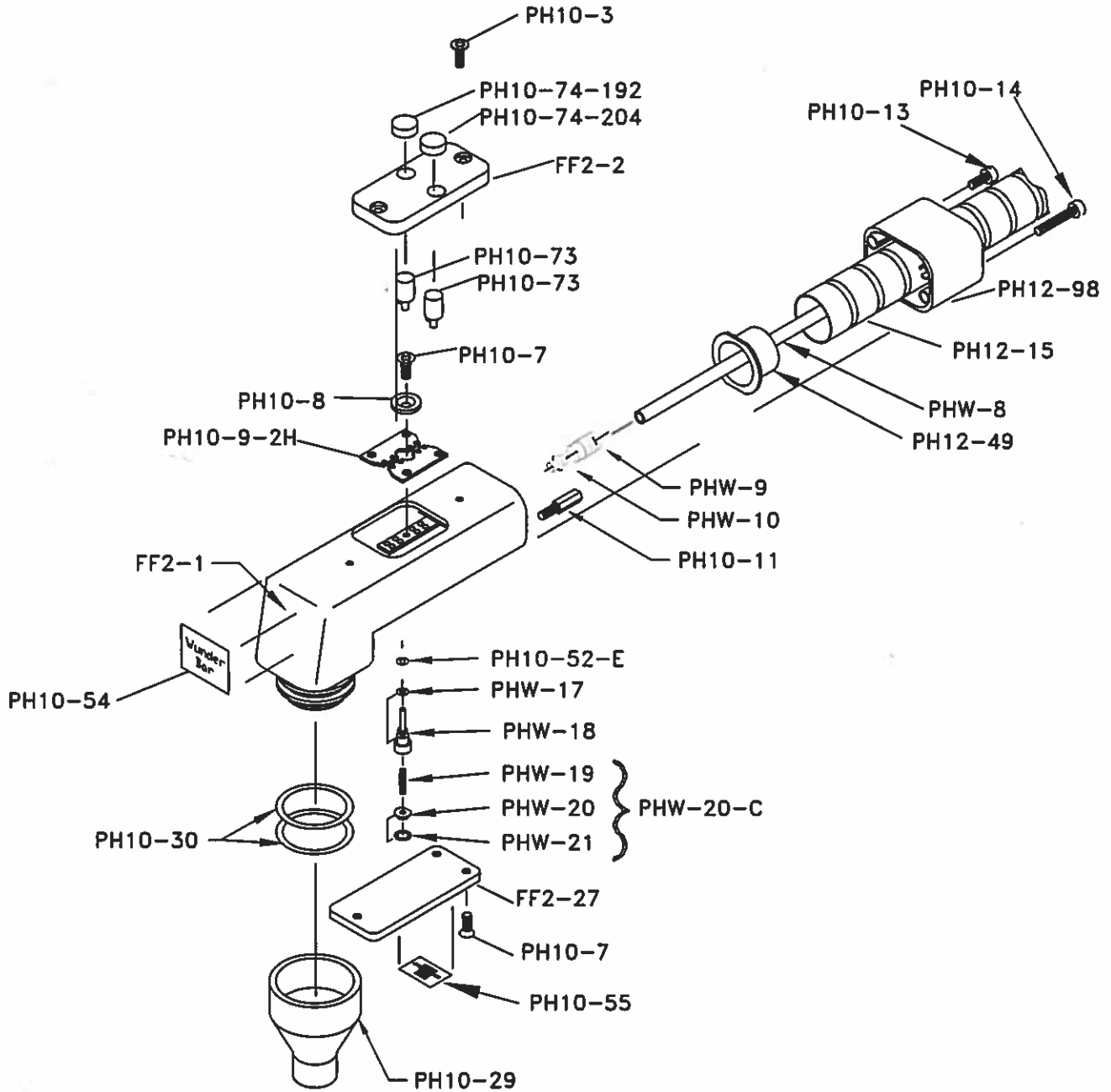
057006C.DWG / 05-08-19

Wunder-Bar™

AUTOMATIC BAR CONTROLS, INC.
2060 CESSNA DR, SUITE 100
VACAVILLE, CA 95688

PHONE: (707) 448-5151
FAX : (707) 448-1521
www.wunderbar.com

**TWO PRODUCT
MECHANICAL HOSE TYPE
FAST FLOW DISPENSER HANDLE**



0570009D.DWG / 05-07-19

Wunder-Bar™

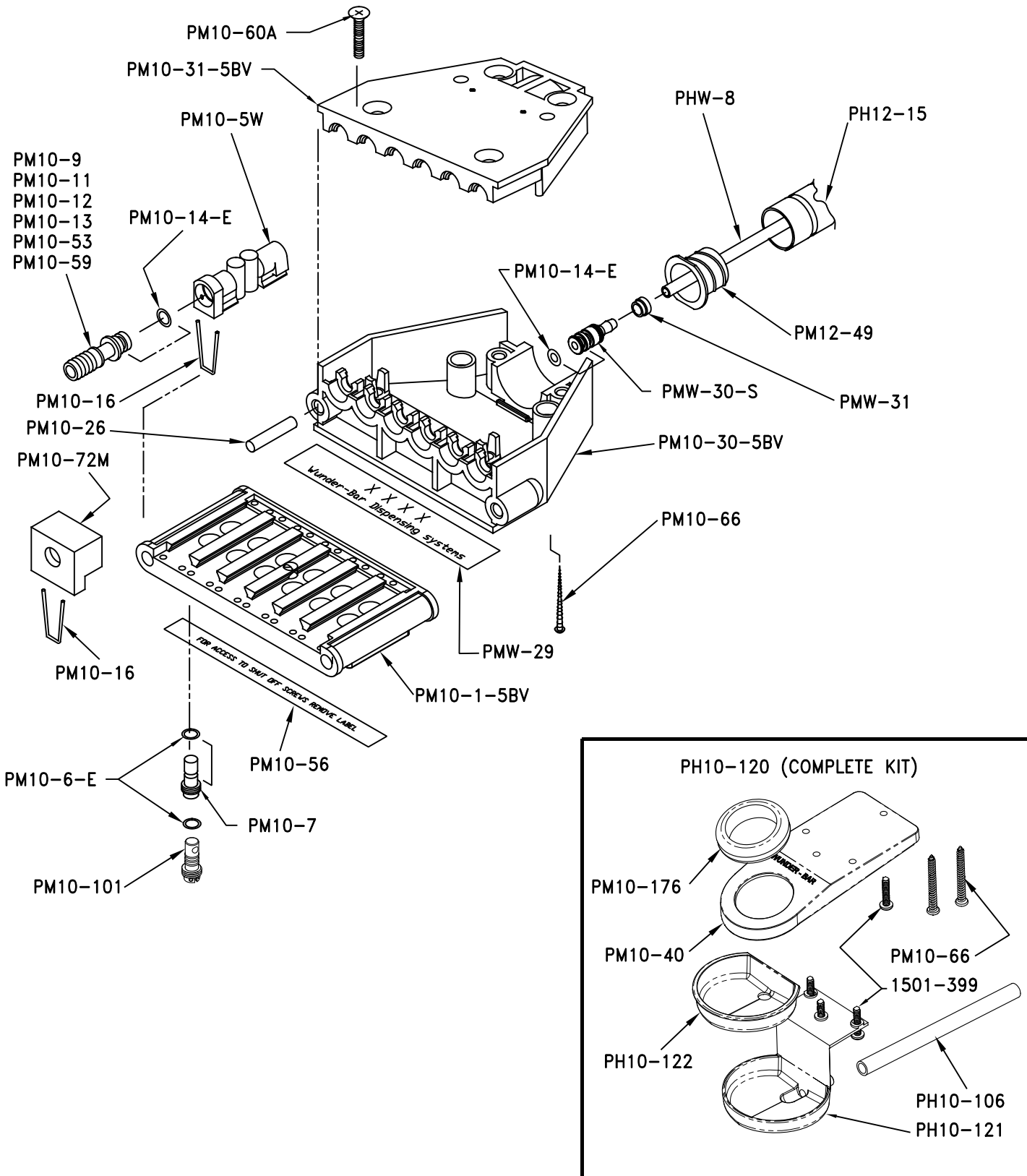
AUTOMATIC BAR CONTROLS, INC.
2060 CESSNA DR, SUITE 100
VACAVILLE, CA 95688

PHONE: (707) 448-5151
FAX : (707) 448-1521
www.wunderbar.com

ONE AND TWO BUTTON MECHANICAL HOSE TYPE FAST FLOW DISPENSER MANIFOLD

JOB:

ITEM#:



Wunder-Bar™

AUTOMATIC BAR CONTROLS, INC.
2060 CESSNA DR, SUITE 100
VACAVILLE, CA 95688

PHONE: (707) 448-5151
FAX : (707) 448-1521
www.wunderbar.com

0570008C.DWG / 06-10-19